



SERIES

595



INDUSTRY LEADING
COMMERCIAL & INDUSTRIAL SOLUTIONS

Heavy-Duty Thermacore® Insulated Steel Door System With Sound Suppression Capabilities

SERIES 595



Standard Features At a Glance

Panel thickness	1 5/8" (41 mm)
R-value	14.41 (2.56 W/Msq)
U-value	.069 (.390 Msq/W)
Air infiltration:	
at 15 mph (24 kmph)	.08 cfm (2.26 Lpm)
at 25 mph (40 kmph)	.08 cfm (2.26 Lpm)
Thermal break	EPDM rubber
Windload	Meets ANSI/DASMA 102-1996
Exterior steel	20-gauge galvanized
Exterior surface	flush, textured
Standard springs	10,000 cycle
Sound transmission rating	Class 26
Std. maximum width	36'2" (11,024 mm)
Std. maximum height	24'1" (7,341 mm)
Exterior color	white
Interior color	white
Warranty	10-year delamination

Options

- Thermal glazing
- Four-section pass door
- High-usage package
- Higher windload package
- Jamb weatherstrip
- Electric operator
- Chain hoist
- Posi-Tension drums
- Safety bottom fixture
- Bottom sensing edge
- EPDM rubber header seal
- Aluminum sash section
- Tumbler keyed lock
- Exhaust ports

Exceptional Thermal Efficiency

The Thermacore® 595 Series features a R-value of 14.41 (2.56 W/Msq), a U-value of .069 (.390 Msq/W), and one of the best overall air infiltration ratings in the industry – as well as a Class 26 sound transmission rating. Ideal for heavy-duty applications where both thermal efficiency and sound suppression are desirable, this 1 5/8" (41 mm) thick door is available in standard sizes up to 36'2" and 24'1" (11,024 mm and 7,341 mm).

The 595 Series incorporates Thermacore's® steel-polyurethane-steel panel construction, which provides a thermal barrier to withstand harsh climates and demanding environmental requirements. The result is a solid, well-built door that keeps both the weather and unwanted sound at bay.

Built With the Best Technology in the Business.

The 595 Series is manufactured using Overhead Door Corporation's proprietary, computer-controlled fabrication process. This advanced technology ensures adherence to the industry's strictest product tolerances and results in an exceptionally well-built door for outstanding thermal efficiency and long-lasting performance.

Highly Engineered for High Thermal Efficiency.

Thermacore's® CFC-free, fully encapsulated, foamed-in place panel maintains R-value performance year round — and year in and year out. Thermal breaks between internal and external skins, EPDM rubber joint seals and tight-fitting, heavy-duty fixtures minimize air infiltration and provides one of the highest thermal efficiency ratings in the industry in its class.

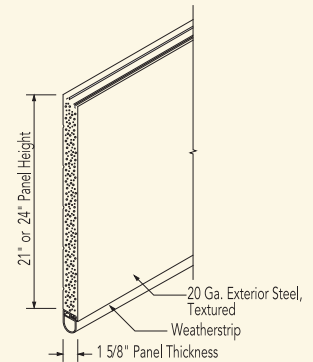
Strong, Lightweight, Attractive and Durable.

Thermacore® 595 doors feature 20-gauge, roll-formed, hot-dipped galvanized steel exterior panels for exception strength and sound suppression capabilities. Windload

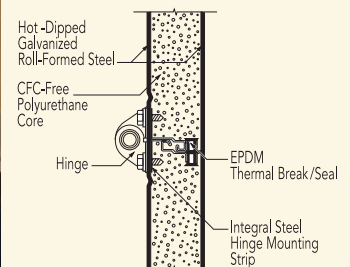




and Superior Sound Suppression



Thermacore's® steel-polyurethane-steel sandwich panel construction is lightweight, incredibly strong and exceptionally efficient reflecting a level of thermal performance that is available only in Overhead Door Corporation's Thermacore® line.



Installation and Service: Overhead Door Company of Twin Falls

design conforms to ANSI/DASMA 102-1996 for usage in high-wind conditions. Two coats of white baked-on, polyester paint on a flush, textured exterior surface provide a handsome finish that will last for years. Our industry-leading 10-year warranty against delamination means that we'll stand behind the quality of our doors at the outset and for the long haul.

Superior Field Serviceability.

Thermacore's® special internal construction allows hinges to be placed anywhere along the panel's length permitting customization on the job site — for fast and precise installation, repair or retrofit.

Many Options, Better Solutions.

The Thermacore® 595 is available in sizes up to 36'2" (11,024 mm) wide and 24'1" (7,341 mm) high. A full line of electric operators ensures precise and trouble-free motor operation in a variety of mounting options (side, center or trolley). Available options include aluminum sash section up to 22'2" (6,756 mm) widths, thermal glazing, pedestrian pass door, and jamb weatherstripping. An optional high-usage package expands the 595's versatility to high-cycle conditions, with torsion springs in 25k, 50k, 75k or 100k cycles, a solid-steel shaft to reduce fatigue and deflection, and a heavy-duty 3" (76 mm) steel track for added durability.

PART 1 GENERAL**1.01 Work Included**

The doors will be Thermacore® Series 595 as manufactured by Overhead Door Corporation.

1.02 Related Work

Opening preparation, miscellaneous or structural metal work, access panels, finish or field painting, field electrical wiring, wire, conduit, fuses and disconnect switches are in the Scope of Work of other divisions or trades.

1.03 Quality Assurance

In accordance with accepted quality assurance guidelines for motor-operated doors, both the Thermacore door and electric operator (optional) shall be manufactured by a single-source producer of door systems; as by Overhead Door Corporation.

PART 2 PRODUCT**2.01 Sections**

Section profile will be a flush, textured surface. Sections will be roll formed, hot-dipped, galvanized steel exterior no less than 20-gauge. Sections will be manufactured by a continuous foamed-in place polyurethane lamination process resulting in a metal/foam/metal sandwich of homogenous polyurethane insulation. Sections (Panels) will have a thickness of 1 5/8" (41 mm) and will incorporate an EPDM rubber thermal break/seal to prevent heat or cold conductivity.

2.02 Insulation

Insulation will be a rigid, foamed-in-place, polyurethane core free of CFCs and will be fully encapsulated in nonpermeable materials to prevent loss of thermal efficiency over time. The insulation will have an R-value of 14.41 (2.56 W/Msq), U-value of .069 (.390 Msq/W) calculated values based on certified test data.

2.03 Air Infiltration

All doors will be constructed with an air infiltration rating of .08 cfm per square foot of door at 15 mph (2.26 Lpm at 24 kmph) and .08 cfm per square foot of door at 25 mph (2.26 Lpm at 40 kmph). (ASTM-E-283-73)

2.04 Windload

ANSI/DASMA 102-1996 standards and as required by code. Consult factory for specific requirements.

2.05 Sound Transmission

Doors will have Class 26 sound transmission.

2.06 End Stiles

End stiles will be 16-gauge steel.

2.07 Springs

Standard springs will be 10,000 cycles. (25,000, 50,000, 75,000, 100,000-cycle springs are optional.)

2.08 Hardware

Hinges and fixtures will be galvanized steel. Full-floating, ball-bearing rollers will have hardened steel races. Roller sizes will be adequate for design requirements and limitations.

2.09 Track

Track is 2" (51 mm) standard or (3" (76 mm) optional) and angle mounted. (Bracket-mounted track is an option, but not available on full vertical doors.)

2.10 Lock

Lock will be interior mounted slide lock. (Optional five-pin tumbler keyed lock is available.)

2.11 Weatherstrip

Weatherstrip between sections will be dual PVC thermal break and joint seal. Bottom weatherstrip will be EPDM rubber bulb-type strip.

2.12 Finish

Finish will be two-coat baked-on polyester with a white interior and white exterior.

2.13 Operation

Operation will be by manual pull rope. (Optional chain hoist and electric operator are available.)

PART 3 EXECUTION**3.01 Execution**

Install the doors in accordance with Overhead Door Corporation instructions and standards, using an authorized Overhead Door Corporation distributor.

THE TURNKEY SOURCE FOR COMMERCIAL AND INDUSTRIAL SOLUTIONS AND SERVICE

Selection of Overhead Door products automatically includes the unequalled expertise and experience of Overhead Door Ribbon Distributors. Nationwide coverage by our 400+ Ribbon Distributors is unique in our industry – providing a single source for design and application consulting, installation, service and ongoing maintenance. Turnkey services to maximize the lasting value of your product choice. Your Overhead Door Distributor is also your only source for a full line of commercial and industrial door and operator systems specifically designed for integrated applications. For over four generations, our 400+ Ribbon Distributors have been committed to providing commercial and industrial door solutions. Combined with Overhead Door product design and manufacturing superiority, our distributors are a proud part of the Overhead Door family, sharing our name, our Ribbon logo and our commitment to industry leading innovation and excellence.

To talk with the Overhead Door Distributor nearest you, call 1-800-887-DOOR.

Overhead Door Corporation

2501 S. State Hwy. 121

Lewisville, Texas 75067

(800) 275-3290 Telephone

©2007 Overhead Door Corporation
Form #: C900-096 1M 01/07 JAR



**INDUSTRY LEADING
COMMERCIAL & INDUSTRIAL SOLUTIONS**